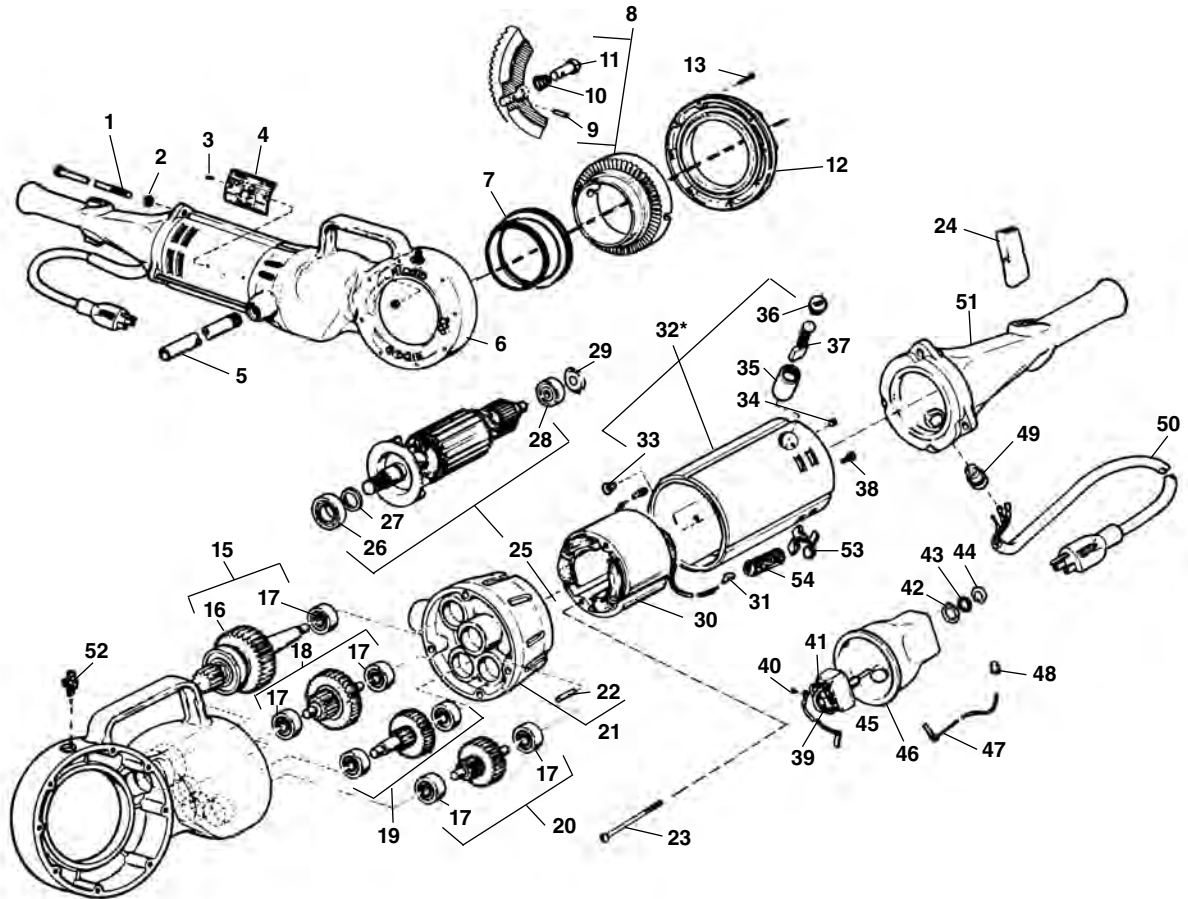


## Type 1



**NOTE: Order parts by Catalog Number only.  
DO NOT order by Reference Number.**

Ref. No.	Catalog No.	Description	Ref. No.	Catalog No.	Description
1	44785	Tie Bolt (4)	28	44760	Bearing
2	40770	Lock Washer (4)	29	44790	Load Spring
3	85920	Pop Rivet (2)	30	44070	Field (115V) (Incl. Ref. No. 31)
4		Name Plate (115V) Name Plate (230V)		28922	Field (230V) (Incl. Ref. No. 31)
5	46615	Torque Arm	31	83895	Ring Tongue Terminal (2)
6	42970	Gear Case Assembly (Includes Ref. 7, 13, 14, 52)	32*		Motor Housing Assembly
7	44060	Bearing	33	44765	Lock Screw
8	43395	Face Gear Assembly	34	39770	Set Screw (2)
9	32475	Spring Pin (2)	35	44795	Brush Holder (2)
10	44915	Spring (2)	36	45660	Brush Cap (2)
11	44910	Adapter Pawl (2)	37	44815	Brush Assembly (2)
12	43345	Cover	38	45420	Ground Screw
13	46775	Screw (8)	39	44905	Switch
14	83890	Lock Nut (8)	40	46310	Screw (5)
15	44900	4th Gear Assembly	41	44890	Jumper (2)
16	76562	Bearing	42	75700	Lock Ring
17	45060	Bearing (7)	43	75695	Lock Washer (Internal Tooth)
18	44830	3rd Gear Assembly	44	46590	Lock Nut
19	44820	1st Gear Assembly	45	44880	Brush Lead (Blue)
20	44825	2nd Gear Assembly	46	43390	Switch Insulator
21	43335	Fan Housing Assembly	47	44885	Brush Lead (White)
22	45165	Dowel Pin	48	44635	Wire Nut
23	44555	Field Mtg. Screw (2)	49	46730	Cord Retainer
24	97260	Switch Button	50	89155	Service Cord (115V)
25	44055	Armature & Fan Assy. (115V)		44045	Service Cord (230V)
	44075	Armature & Fan Assy. (230V)	51	97255	Handle
26	44565	Bearing	52	46860	Grease Fitting
27	44430	Retaining Ring	53	41270	"X" Washer
			54	44755	Insulator Tube
			55	41620	Grease

Note: \*Replace Type 1 Motor Housing with Type 2 components: 18676 Motor Housing, 27418 Warning Decal, 18486 Field Screws, 58542 Lock Washers, 18566 Sleeve, and Type 2 Field (27408 - 115V or 27413 - 230V). Does not include 44815 Motor Brushes.